

## JW7000 Series Wafer-Style Gas Flowmeter

The JW7000 series gas flowmeters may be used in applications such as combustion air, incineration gas, nitrogen, chemical plants, HVAC, sewage treatment plants, compressed air and natural gas, as examples. These flowmeters will measure gas flow in pipe sizes from 1/2" to 4".

### Specifications

<b>Measured:</b>	Gas
<b>Flow rate measured:</b>	See flow range table below
<b>Operating temperature:</b>	-28° to +182° C
<b>Ambient temperature limits:</b>	-28° to +68° C
<b>Operating pressure:</b>	-0.3 to +17 BarG
<b>Accuracy:</b>	1% of reading over dynamic range of meter
<b>Repeatability:</b>	0.5% of reading
<b>Input power:</b>	15-48 VDC
<b>Signal output:</b>	2-wire, 4-20 mA loop
<b>Construction:</b>	Stainless steel wetted parts with ceramic transducers. NEMA 4X enclosures standard.
<b>Communications:</b>	HART Protocol
<b>Certifications :</b>	Factory Mutual (Class I, Div. 1, Groups C & D) CSA (Class I, Div. 1, Groups C & D) ATEX (Eex ib IIB T4) CE
<b>Display optional:</b>	2 line, 8 digit rate/totalizer



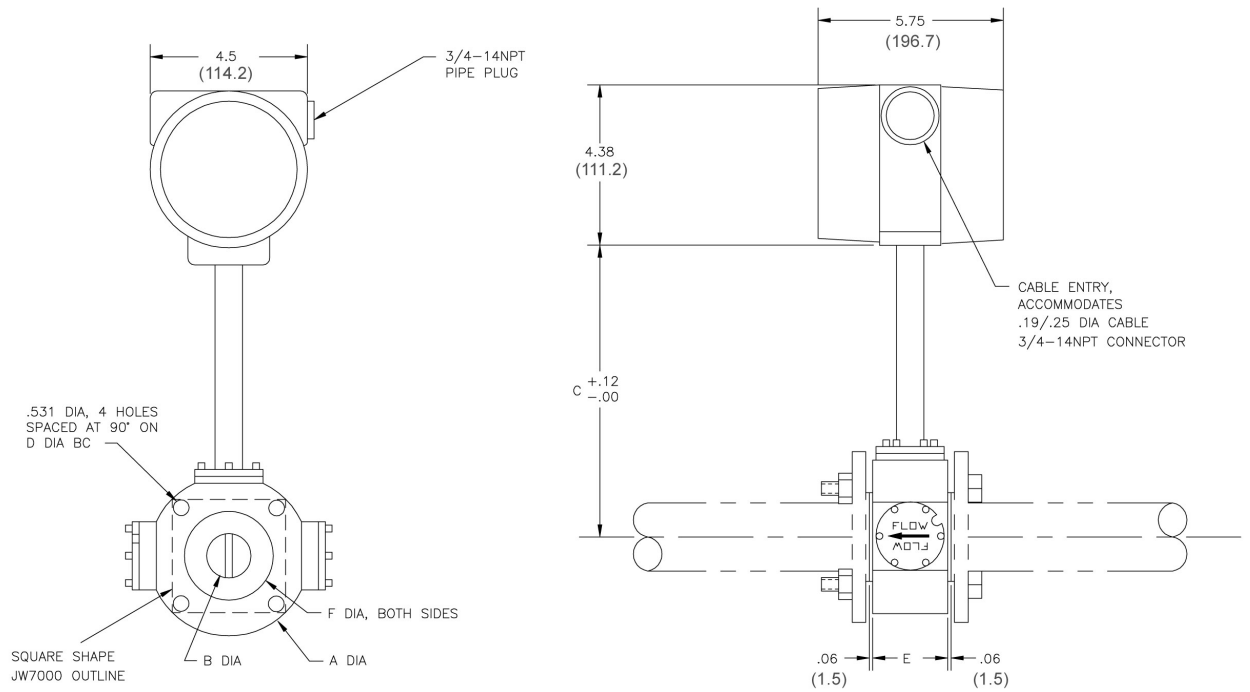
### FLOW RANGES

Consult J-TEC Flowmeter Sizing Software for temperature and pressure conditions other than those listed here

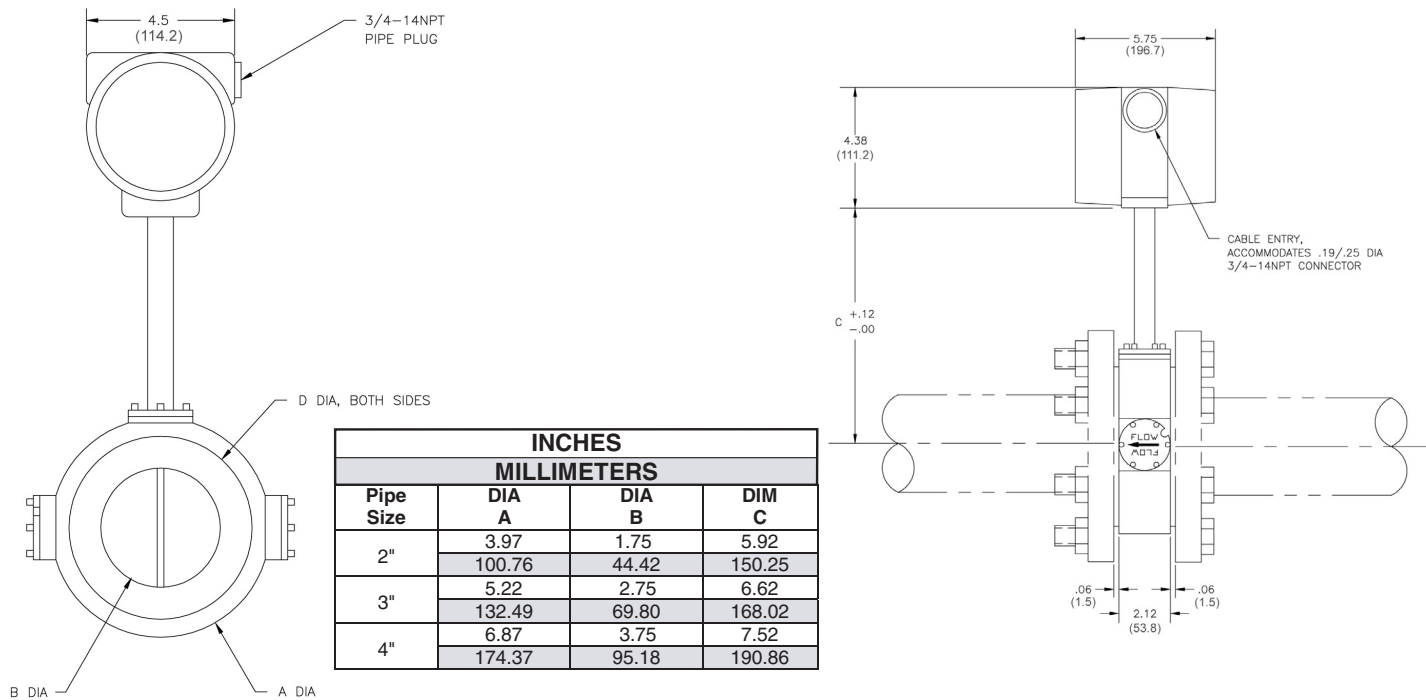
Pipe Size	FLOW RANGE IN Nm <sup>3</sup> /HR, 16° C & (X) BARG IN AIR																*Pressure Drop (mbar) at 50% flow
	X=0 barg		X=1.7 barg		X=3.4 barg		X=5.2 barg		X=6.9 barg		X=10.3 barg		X=13.8 barg		X=17.2 barg		
	MIN	MAX	MIN	MAX	MIN	MAX	MIN	MAX	MIN	MAX	MIN	MAX	MIN	MAX	MIN	MAX	
1/2" 13 mm	1	25	2	69	3	113	4	133	5	133	7	133	9	133	12	133	3.49
1" 25 mm	2	72	5	195	9	318	12	441	16	564	23	810	29	816	37	815	2.49
1-1/2" 38 mm	4	160	11	434	18	707	25	981	31	1254	45	1801	60	2014	72	2014	1.62
2" 51 mm	8	321	22	868	35	1415	49	1962	63	2509	90	3763	117	3263	145	3263	0.87
3" 76 mm	16	642	43	1736	71	2830	98	3924	125	5018	180	6827	235	6827	290	6827	0.62
4" 102 mm	32	964	87	2605	142	4245	196	5886	251	7527	360	10808	470	12695	579	12695	0.62

\*Pressure drop data for 0 BAR(G) and 16°C)

## Dimensional Specifications



INCHES						
MILLIMETERS						
Pipe Size	DIA A	DIA B	DIM C	DIM D	DIM E	DIM F
1/2"	3.50	0.50	5.60	2.38	2.25	1.38
	88.83	12.69	142.13	60.40	57.11	35.02
1"	3.97	0.88	5.78	3.12	2.12	2.00
	100.76	22.34	146.70	79.19	53.81	50.76
1-1/2"	4.72	1.38	6.34	3.88	2.12	2.88
	119.80	35.03	160.91	98.47	53.81	73.09



INCHES			
MILLIMETERS			
Pipe Size	DIA A	DIA B	DIM C
2"	3.97	1.75	5.92
	100.76	44.42	150.25
3"	5.22	2.75	6.62
	132.49	69.80	168.02
4"	6.87	3.75	7.52
	174.37	95.18	190.86