



www.ktekcorp.com



# LASER DISTANCE, LEVEL & POSITION TRANSMITTER

## Model LM4C

### FEATURES

- Long Range to 1148 ft. / 350 m
- Rugged & Robust Housing
- High Performance Optics
- Integral Dust Tubes & Visible Pointer
- Target Color Compensation
- No Beam Divergence = No False Echos
- Not Affected by Cone Up / Cone Down of Solids
- Class 1 Laser: Completely Eye Safe
- No Special Configuration Software Required



### SPECIFICATIONS

#### Mechanical

Dimensions	7.9x6.3x3.9 in. / 200x160x100mm
Rating	IP65
Casing	Powder Coated Cast Aluminum
Weight	8.8 lbs./ 4 kg with no optional equipment
Connection	1/2" FNPT (Standard) Cable Gland Optional

#### Optical

Beam Diameter	1.97 in. / 50 mm
Optical Aperture	4 in. / 100 mm
Beam Divergence	< 0.15°
Laser	Class 1 Eye Safe ANSI Z136.1-1986 BSI BS7192:1989

Approvals	CE EN50081, EN50082, EN61000
-----------	------------------------------

#### Outputs

4-20 mA DC, NAMUR Compliant  
Isolated or Non-Isolated (field selectable)  
2 ea. Relays, open collector

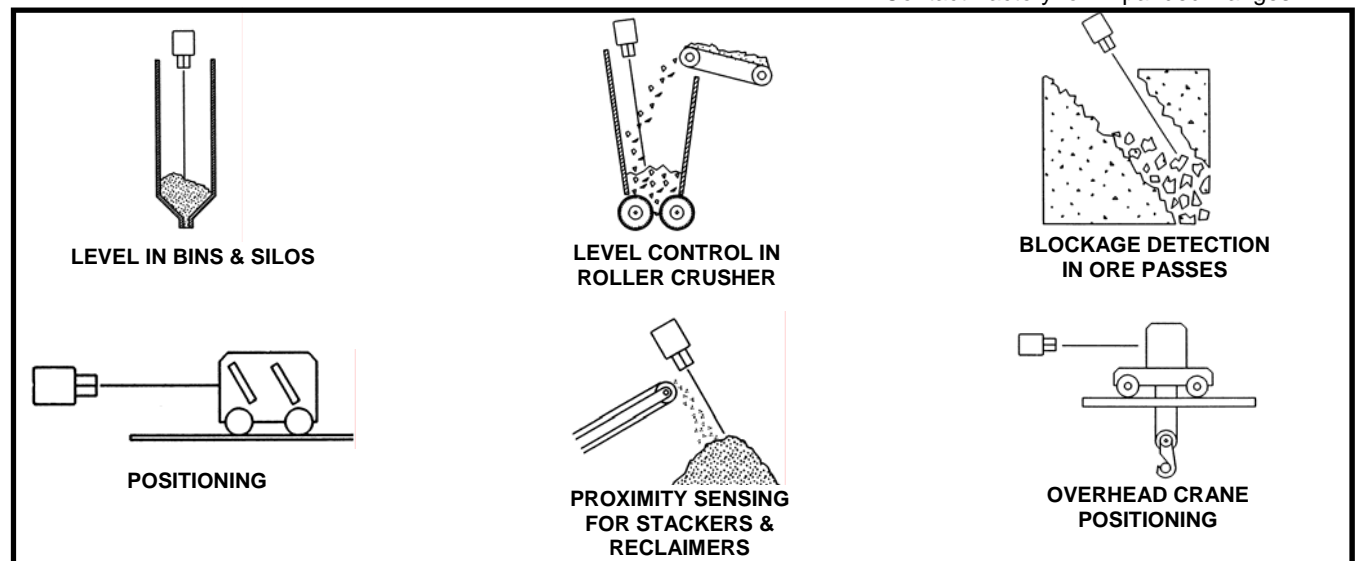
Communication  
Configuration RS-232 (null modem cable required)  
PDA (Palm OS compatible)  
PC with MS Windows 95, 98, NT, ME, 2000  
and XP

#### Electrical

Voltage	16 - 32 VDC (Standard) 86 - 265 VAC, 47 - 440 Hz (Standard)
Current	0.25 Amp max
Relay Rating	200 mA, 50 VDC, Open Collector

#### Performance

Measurement	Solids, Opaque Liquids, Slurries
Temp Ratings	-40 to 150°F / -40 to 65°C
	Contact Factory for Expanded Ranges



**ORDERING INFORMATION:**

**LM4C / a / b :**

/a	Range	Range	Resolution	Accuracy
20	1.5 - 65.5 ft. / 0.5 - 20 m		0.4 in. / 10 mm	±[2.5 cm ± 0.05 cm per °C deviation from ambient (20°C)] <sup>1</sup>
60	1.5 - 197 ft. / 0.5 - 60 m		1.5 in. / 30 mm	±[6.0 cm ± 0.05 cm per °C deviation from ambient (20°C)] <sup>1</sup>
120	1.5 - 394 ft. / 0.5 - 120 m		2.5 in. / 60 mm	±[12 cm ± 0.05 cm per °C deviation from ambient (20°C)] <sup>1</sup>
200	3 - 656 ft. / 1 - 200 m		8 in. / 200 mm	±[40 cm ± 0.05 cm per °C deviation from ambient (20°C)] <sup>1</sup>
350	6.5 - 1148 ft. / 2 - 350 m		13.7 in. / 350 mm	±[70 cm ± 0.05 cm per °C deviation from ambient (20°C)] <sup>1</sup>

<sup>1</sup>This accuracy is valid for all target colors. Accuracy can be much greater for a fixed target color. Consult factory for details.

**/b Software**

- H 100H (Standard Software for minimum distance and positioning applications)
- C C+ (Software for measurement with light and moderate dust for all closed vessels)

**ACCESSORIES:**

<b>REFS*</b>	<b>Reflector:</b> 10"H x 10"W / 25 cm x 25 cm
<b>REFM*</b>	<b>Reflector:</b> 20"H x 20"W / 50 cm x 50 cm
<b>REFL*</b>	<b>Reflector:</b> 3'H x 3'W / 1 m x 1 m
<b>PDA</b>	<b>PDA:</b> with Palm OS and Communication Software and Cable

\*REFS, REFM & REFL are used for positioning applications only.

**MAXIMUM RANGE OF DIFFERENT MATERIALS with LM4C**

Material	Distance
Gold Ore	328 ft. / 100m
Diamond Ore	130 ft. / 40m
Coal	260 ft. / 80m
Animal Feed, Sugar	328 ft. / 100m
Machinery	394 ft. / 120m
Reflector	1148 ft. / 350m

